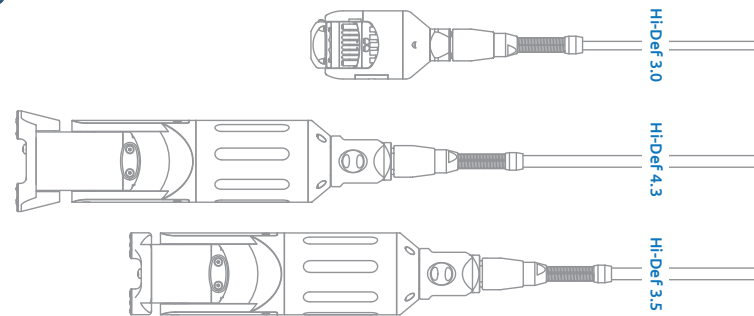




## Remote Visual Inspection of Vessels and Tanks Using the Hi-Def PTZx Camera System

Power and process vessels come in many types, sizes, and uses:

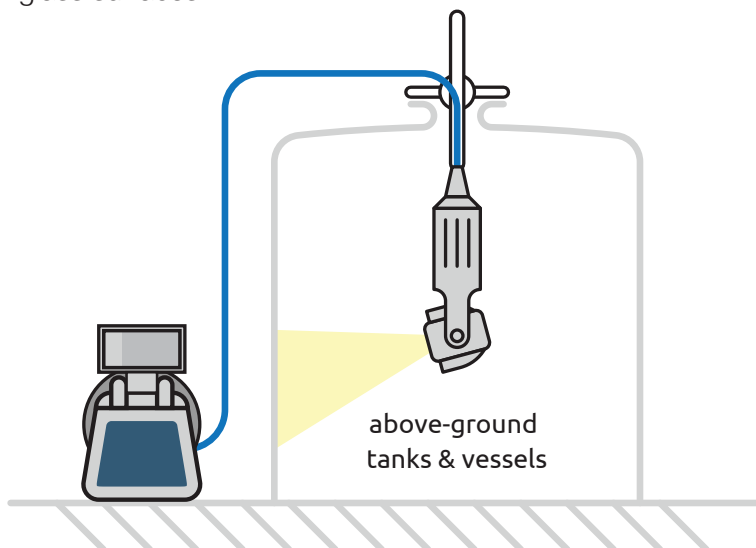
- Pressure Vessels for power-gen and O&G process apps
- Catalyst and hydro-cracking vessels for oil refining
- Mixing Vessels: Stainless steel, Monel Clad, glass-, rubber- and plastic-lined vessels for chemical, pharma, and food processing applications
- Rail tank cars



Three interchangeable PTZ camera head sizes: 3" and up

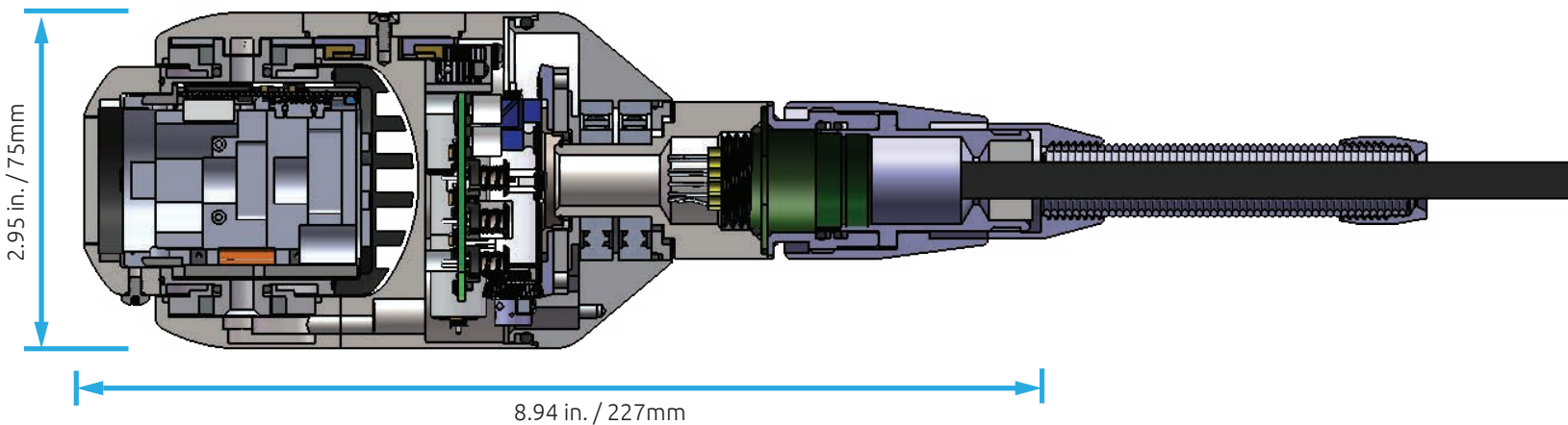
These vessels often require visual inspections to determine their general condition, structural health, or cleanliness after batch switchovers and steam/pressure cleaning.

OSHA's confined space regulations (10 CFR 1910.146 Plus Appendix) combined with the costs and risks associated with direct in-vessel visual inspection makes remote video inspection highly desirable and cost-effective. In addition, RVI High-definition video using a pan-tilt-zoom camera with integral LED lighting yields picture quality and magnification much better than direct visual with the added benefit of digital motion video and still-frame capture for reporting purposes. Adjustable LED lighting and image-brightness control minimizes light reflection on polished or glass surfaces.



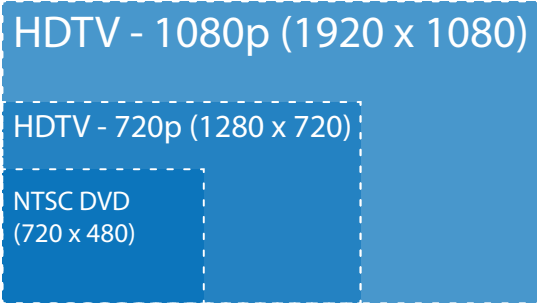
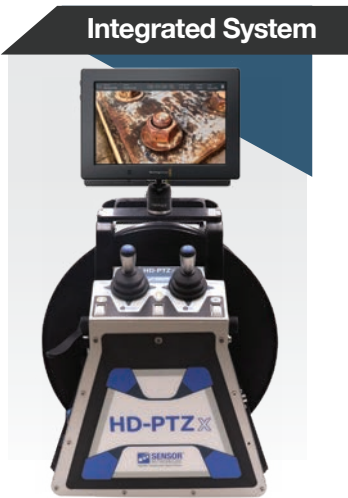
# SNI offers three different camera heads for the Hi-Def PTZx.

The Hi-Def 3.0 camera will easily navigate three-inch (76mm) diameter or greater access ports or nozzles.



## All Sensor Networks RVI tools are Hi-Def

With cable lengths up to 500 ft, and available with either a compact CCU or an integral cable reel CCU, our Hi-Def cameras also features 1080p video resolution that is ~6 times better than that of conventional CCTV video.



**Accessories**

<p><b>lowering pole</b></p> <ul style="list-style-type: none"> <li>6 ft (1.8m) length each</li> <li>connect two or more</li> </ul>	<p><b>tank flange mount</b></p> <ul style="list-style-type: none"> <li>mounts to flanged openings <math>\varnothing</math> 4-24 in.</li> <li>clamps pole to stabilize camera at any angle</li> </ul>	<p><b>lifting hoist ring</b></p> <ul style="list-style-type: none"> <li>mounts to pole end</li> <li>attaches to safety lanyard</li> </ul>
--	--	---